



ION Thermal Thermal Receipt Printer

The ION Thermal Receipt Printer is part of the cost-effective, high performance POS-X ION Series. Stylish, affordable, and engineered to operate day-in and day-out, the ION Thermal provides the steadfast performance you need with a sleek, modern housing for a price that's hard to beat. The ION Thermal features fast receipt printing, JamFree Autocutter Technology, an industry leading warranty and free 24/7 support. It's perfect for retail and hospitality operations requiring a POS solution that is dependable and affordable.



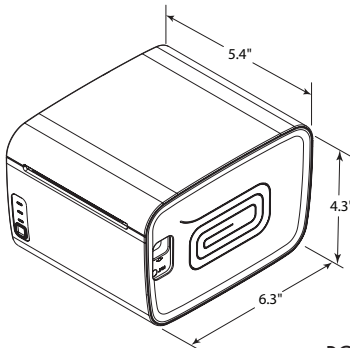
receipt printer

Key Features

- Power supply and USB/Serial interface cables included
- Drop-in easy thermal paper loading
- JamFree AutoCutter technology
- 160mm/sec print speed
- ESC/POS and OPOS compatible
- 3-Year Warranty includes 2-Day Advance Exchange Service

ION Thermal Receipt Printer Specifications

PART NUMBER	ION-PT1-1US	
SPECIFICATIONS		
Interfaces	USB 2.0/RS232C	
Emulation	ESC/POS	
Print Method	Direct Thermal	
Printing Speed	6.3"/sec (160 mm/sec)	
Print Resolution	180 DPI x 180 DPI	
Printing Direction	Unidirectional with Friction Feed	
Sensors	Cover Open, Paper Low, Paper End	
CASH DRAWER PORTS	2 Circuits (24 V, 1 A max)	
RELIABILITY	TPH Life 99.42 miles MCBF 60,000,000 Lines	
PAPER		
Type	Thermal Paper	
Width	1.9" (50 mm) - 3.13" (79.5 mm)	
Thickness	0.002" (0.06 mm) - 0.0035" (0.09 mm)	
Roll Diameter	Max 3.27" (83 mm)	
Roll Core Inner Diameter	0.492" (12.5 mm) ± 0.019" (0.5 mm)	
CHARACTER SET	Alpha Numeric Character 95 Extended Graphics 128 x 18 page (1 space per page) International Characters 14	
CHARACTER/LINE	Font A (12 x24) 42 columns Font B (9 x17) 56 columns	
BARCODES SUPPORTED	EAN-8, EAN-13, CODE 39, ITF, UPC-A, CODABAR, CODE 93, CODE 128, PDF 417(2D)	
AUTO CUTTER		
Type	JamFree auto-retracting guillotine	
Life	1,500,000 Cuts	
Cutting Method	Full/Partial Cut	
PHYSICAL		
Dimension	5.35"(135.85mm)(w) x 6.31"(164.34mm)(D) x 4.33"(110mm)(H)	
Weight	3.1 lbs	
Color	Black	
ELECTRICAL	100-240 VAC 50/60 Hz (input) 24 VDC/1.5 A (output)	
ENVIRONMENTAL		
Temperature	41°F(5°C) to 104°F (40°C) operating -4°F to 140°F storage	
Humidity	10%-90% non condensing (operation) 10%-90% non condensing (storage)	
WARRANTY	3-Year includes 2-Day Advance Exchange Warranty Service, 2-Year on Autocutter and Print Head	
CERTIFICATIONS	FCC, UL, CE, Energy Star	
OPERATING SYSTEM	WIN 95/WIN 98/WIN 2000/WIN XP/VISTA/Win 7/Win 8/OPOS drivers available	



ACCESSORIES

ZWE-CRW	2-Year Warranty Extension
ZOE-CRW3	3-Year Overnight Exchange
ZOE-CRW5	5-Year Overnight Exchange