

# EASYMAG™

Intelligent Swipe Reader  
for Magnetic Stripes



## Reads magnetic stripes.

The EasyMag reads up to three tracks of information with a single swipe in either direction. Its length makes it exceptionally tolerant of bent or otherwise imperfect cards. Both beeper and LED indicators signal a successful read.

## Versatile, low cost.

The EasyMag Intelligent Swipe Reader delivers exceptional functionality and value. It can be used as a free-standing unit, velcro mounted for temporary placement, or permanently mounted using the threaded inserts in the bottom of the reader. TTL, RS-232, keyboard wedge, and USB/keyboard interfaces are available.

## Easy to use.

The EasyMag Intelligent Swipe Reader is designed for busy retail environments where speed and dependability are equally important. Its standard-length slot (more than 5 inches) makes it easy for anyone to swipe a card and get a good read on the very first try. Yet its unique flat-edge case design makes it easy to flush-mount alongside a keyboard or monitor.

## Edits and formats data.

The EasyMag is a fully intelligent swipe reader that can be programmed to divide, rearrange, edit, and validate fields of magnetic card data. It automatically distinguishes between AAMVA and CA DMV formats.

# WCR3321/31XXQ EasyMag Intelligent Swipe Reader Specifications

## Electrical

Keyboard: Low Power CMOS power supplied by the host computer.  
 RS-232: 5VDC/70mA (power adapter regulated 5VDC/350mA or equivalent).

## Environmental

Operating Temperature: 32F° to 131°F (0°C to 55°C).  
 Storage Temperature: -22° F to 158°F (-30°C to 70°C).  
 Humidity: Maximum 95% non-condensing.

## Reliability

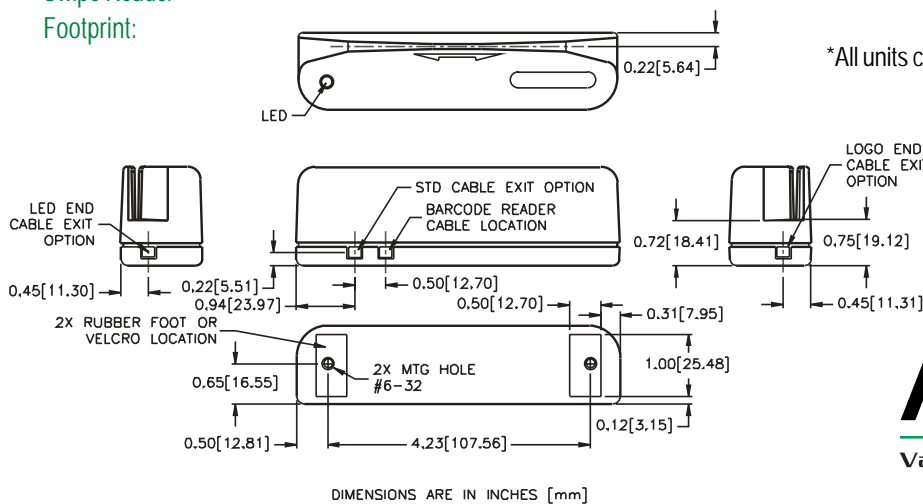
Electronics MTBF: Read and Interface electronics, RS-232/keyboard: 125,000 POH.  
 Magnetic Head Life: 1,000,000 passes minimum.  
 Rail and Cover Life: 1,000,000 passes minimum.  
 Read Rate: Less than one error in 100,000 bits on cards conforming to ISO 7811 1-5 (not induced by operator error).  
 Warranty: One year, parts and labor.

## Mechanical

Magnetic Stripe Formats: ISO 7811, AAMVA, and CA DMV.  
 Swipe Speed: 3 to 55 inches per second, bi-directional.  
 Card Width: .01 to .055 inches.  
 Slot Width: Maximum card thickness: .055 (1.37mm).  
 Interfaces: TTL (undecoded magnetics), RS-232, Keyboard wedge, USB/keyboard.  
 Dimensions: Length: 5.22 inches (133mm). Width: 1.25 inches (32mm). Height: 1.6 inches (41mm).  
 Weight: Approximately 8 oz. (with cabling).  
 Cable Length: 5-foot straight cable.  
 Connector: Keyboard: 5-pin DIN connector (AT/XT).\*  
 6-pin mini-DIN connector (PS/2).\*  
 ADB adapter cable required (Mac).  
 RS-232: 9-pin D-sub female.  
 Mounting Options: Rubber feet (stand-alone operation).  
 Velcro pads (keyboard mounting).  
 Two mounting holes (permanent mounting).



EasyMag  
 Swipe Reader  
 Footprint:



\*All units come with adapter for AT/XT or PS/2



Value through Innovation

1047 S. Placentia Avenue  
 Fullerton, California 92831  
 (714) 680-5868 Fax: (714) 680-3379  
 Visit us at [www.idt-net.com](http://www.idt-net.com)